

L1582

Rev 00

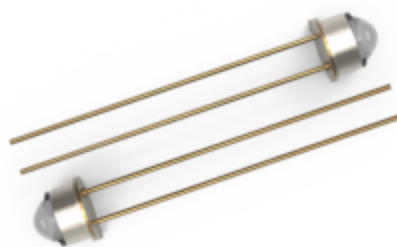
Features:

- 1、 TO46 Encapsulation
- 2、 850nm Wavelength
- 3、 Broad Beam, Initial Spot $\phi 4.6$
- 4、 Light Homogeneity
- 5、 -40°C — $+85^{\circ}\text{C}$ Operating Temperature

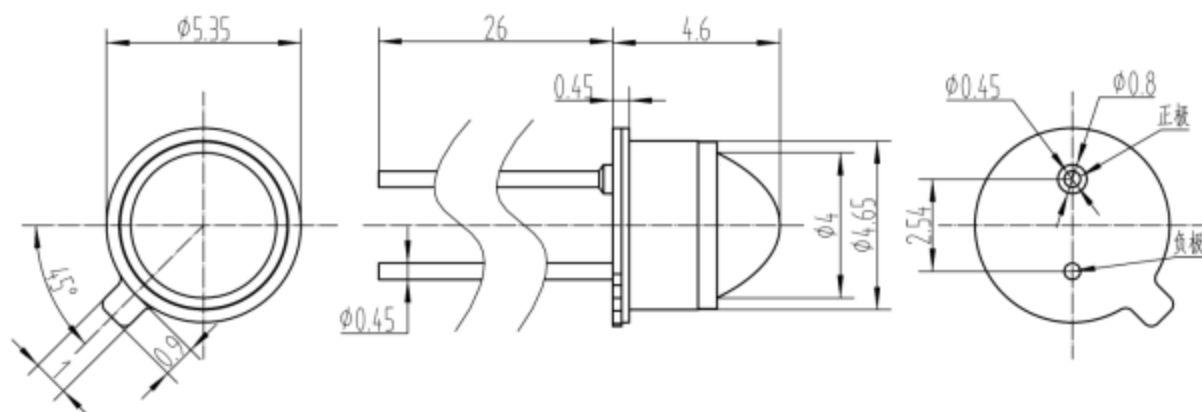
Application

- Applied to Photodetector 1005、1011、1014
- Used with Absolute Encoder
- Applied to Position-sensing Photosensitive Light Sources

Encapsulation Mode



Main dimensions (mm)



Absolute Rating

Damage may occur if the operating environment is exceeded in the table below (Note: Test condition is 25°C)

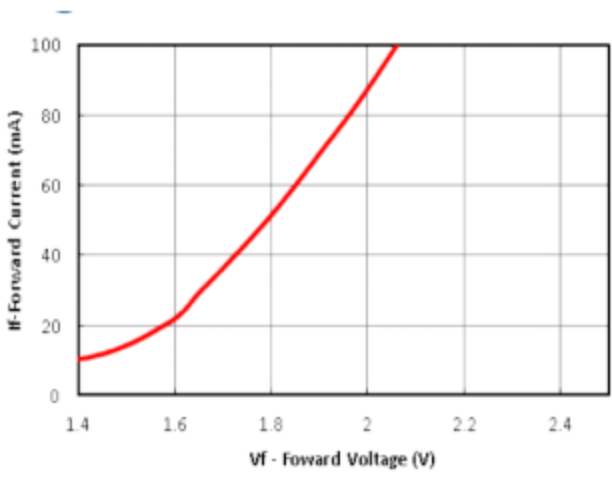
Parameter	Symbol	Condition	Min.	Typ.	Max.	Unit
Forward Current (DC)	IF				50	mA
Momentary Current	IFSM	1/10 Duty Ratio @1kHz			100	mA
Reverse voltage	VR				5	V
Operating Temperature	T_A		-40		+85	°C
Storage Temperature	T_S		-40		+85	°C
Soldering Temperature	T_{PK}	$t \leq 10s$			280	°C

Photoelectric characteristic parameter

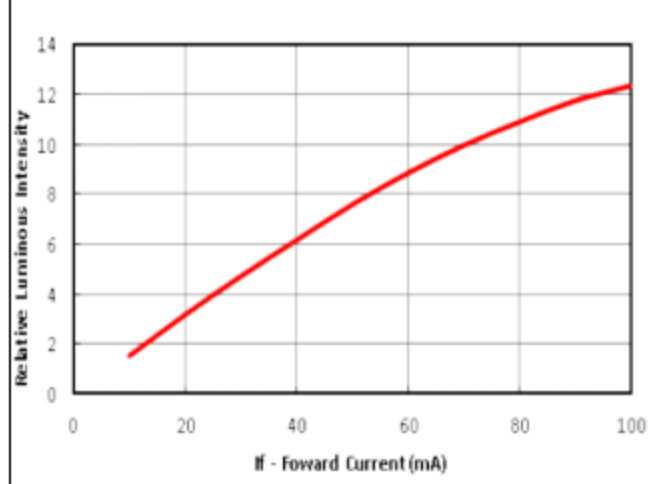
Parameter	Symbol	Condition	Min.	Typ.	Max.	Unit
Junction voltage	VF		1.4		1.9	V
Transmitted power	P_O	Normal Temperature, 20mA		1.75		mW
Optical diameter	φ	Initial Spot		$\varphi 4.6$		mm
Optical Center Wavelength	λ_P		845	850	855	nm
Full-angle Light Emission	2φ	Half Width (FWHM)		4.3		

Chart

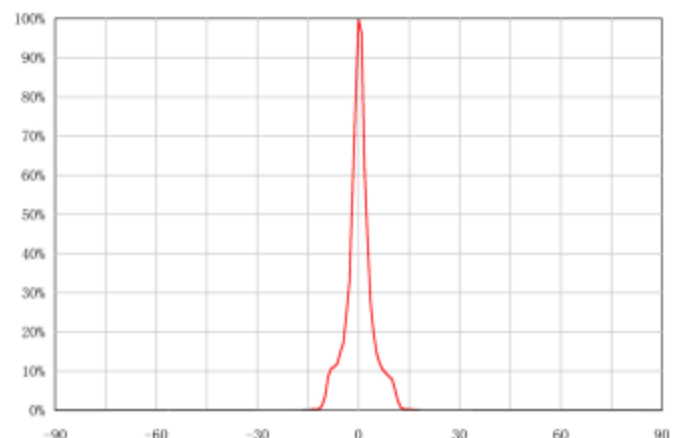
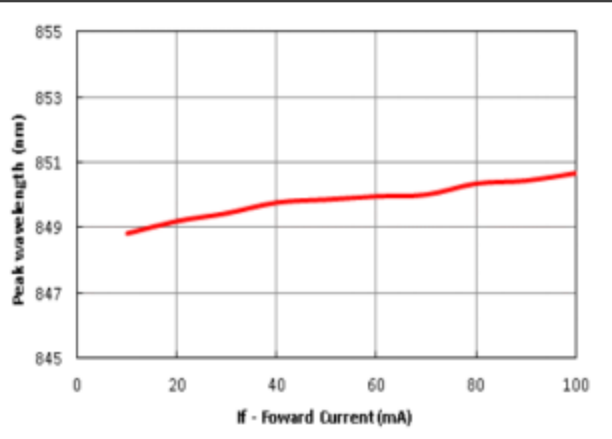
I-V Curve (Forward voltage and current)



L-I Curve (Forward current and radiated power)



WLP-I Curve (Forward current and peak wavelength)



luminous intensity distribution curve